



Certificate of Accreditation

Sewage Management Facility

Septic Tanks & Collection Wells

This Certificate of Accreditation is issued by the Secretary of the NSW Ministry of Health pursuant to section 41(1) of the Local Government (General) Regulation 2021.

Manufacturer: *Suncoast Waste Water Management
t/a Ozzi Kleen*

Of: *59 Industrial Ave, Kunda Park, QLD, 4556*

The Ozzi Kleen Septic Tanks, Collection Wells, and Pump Wells as described in the following Schedule have been accredited as sewage management facilities for use in single domestic premises in NSW.

*A/Director, Environmental Health
for Secretary (delegation PH335)*

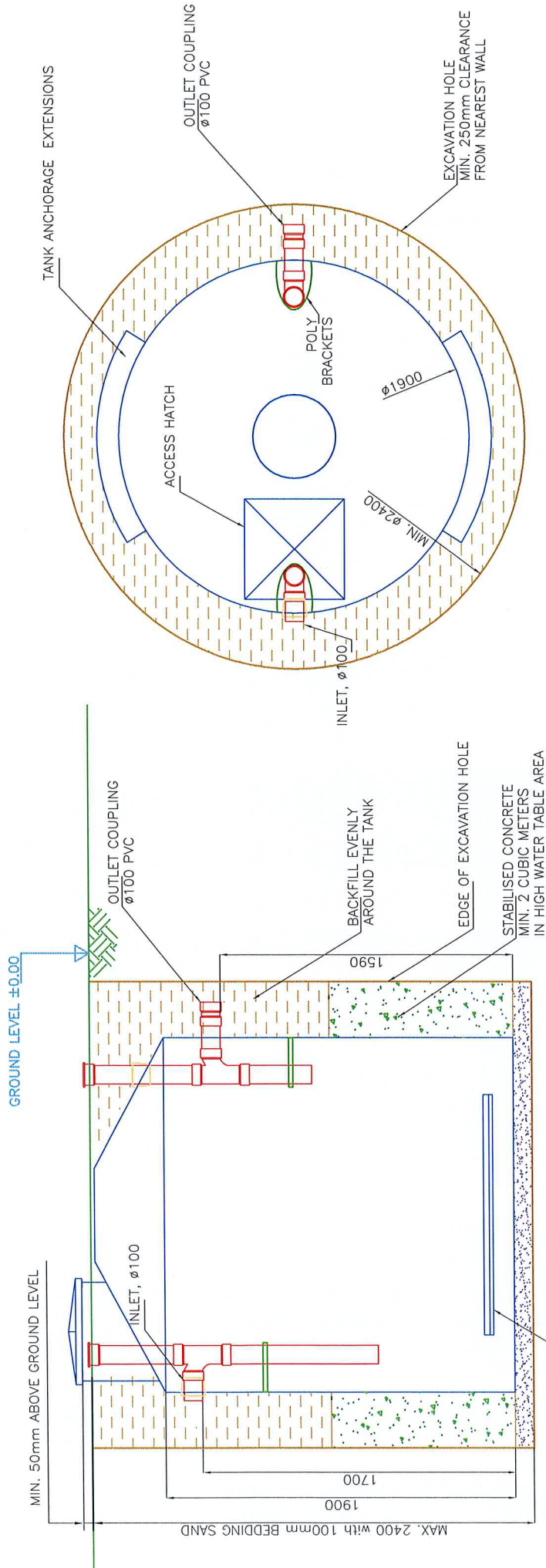
Issued: *12 / Jan / 2024*
Certificate No: *STCW041*
Expires: *31 December 2028*



Accreditation Schedule

*The Certificate of Accreditation applies to the following
Septic Tanks, Collection Wells, and Pump Wells*

Model	Description	Size
Septic Tank ST 10 ST 10A	Vertical axis type cylindrical roto moulded polyethylene tank. Certification applies only to the construction of the septic tank, baffle and access covers. It does not include the internal fittings. Burial depth of the tank lid is restricted to 0 mm	4506 L 4506 L
Collection Well PT 4000 Single Turret PT4000 Twin Turret PT1000 Flat Base PT1000 Hopper Bottom PT5300 Flat Base PT5300 Hopper Bottom RW5300	Vertical axis type cylindrical roto moulded polyethylene tank. Certification applies only to the construction of the collection well and access covers. It does not include the internal fittings. Burial depth of the tank lid is restricted to 0 mm	4150 L 4150 L 1208 L 1225 L 5350 L 5250 L 5300 L
Pump Well PT300 PT350 PT500 PT850 PS1000 PS1500 PT1500 Hopper Bottom PT1500 Flat base	Vertical axis type cylindrical roto moulded polyethylene tank. Certification applies only to the construction of the pump well and access cover. It does not include the internal fittings. Burial depth of the tank lid is restricted to 0 mm	300 L 350 L 663L 850 L 1225 L 1640 L 1640 L 1735 L



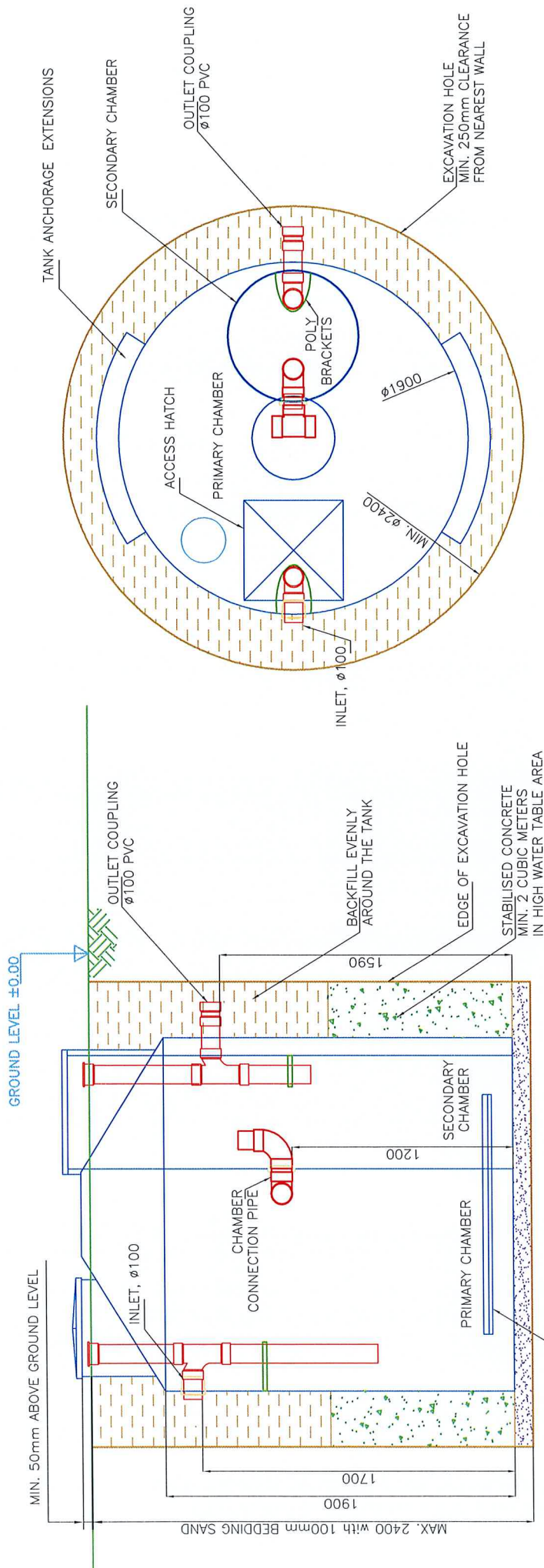
NOTES:

1. Ozzi Kleen POLYETHYLENE TANK IS CERTIFIED TO AS/NZS 1546.1.
2. PLEASE SEE INSTALLATION GUIDELINES FOR MINIMUM REQUIREMENTS.
3. PLEASE CONFIRM INVERT LEVELS WHEN ORDERING.



Suncoast Waste Water Management

59 INDUSTRIAL AVE KUNDA PARK QLD 4556 PH +61 7 5459 4900 FAX +61 7 5456 4677 www.ozzikleen.com	CLIENT	GENERAL	DESIGN	AP
	PROJECT	4,500L SEPTIC TANK - ST10	DRAWN	YH
	TITLE	GENERAL LAYOUT	CHKD	AP
	DWG NO.	GD-ST10-H10	DATE	02/02/16
			SCALE	NTS
02/02/16	GENERAL REVISION	1	YH	BY
	DESCRIPTION			



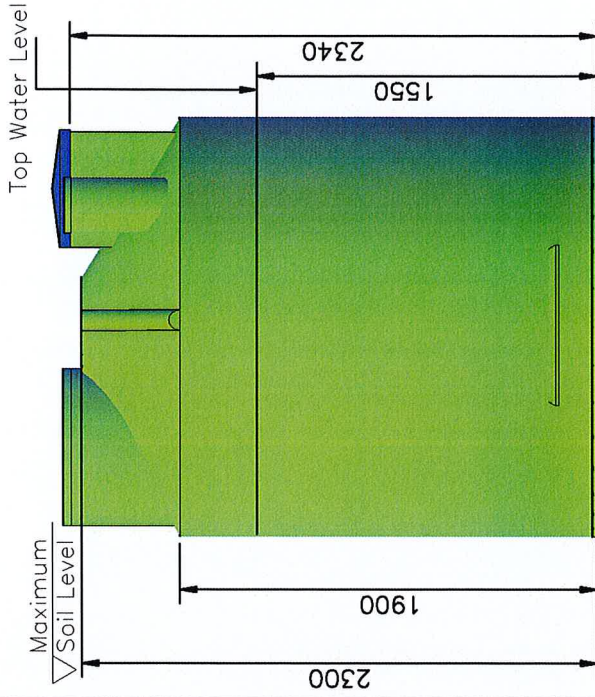
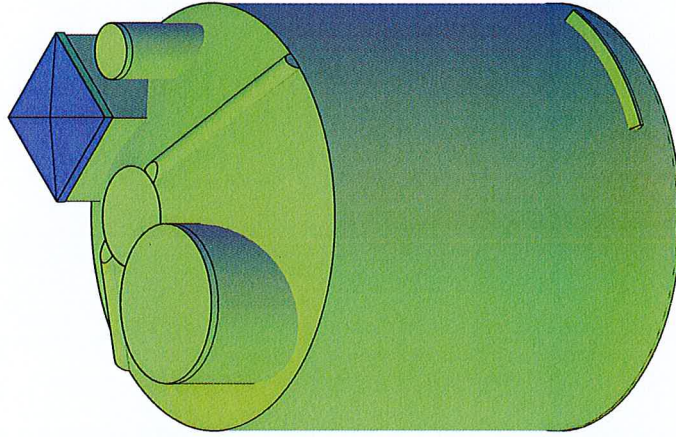
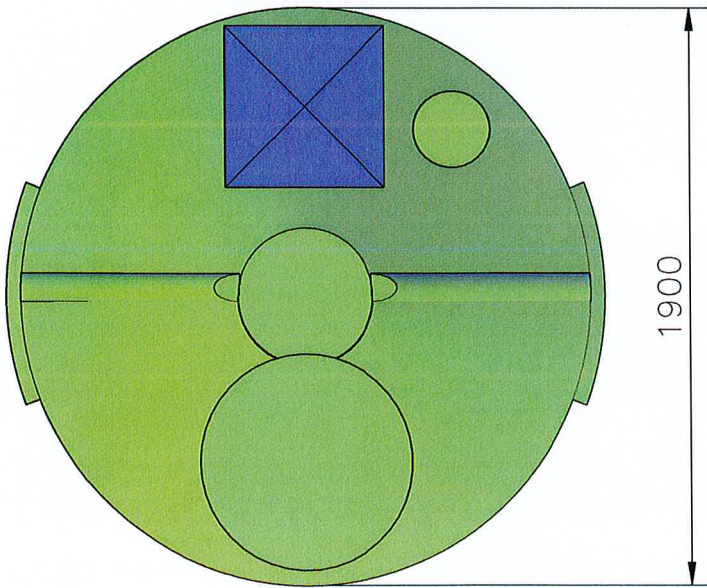
NOTES:

1. Ozzi Kleen POLYETHYLENE TANK IS CERTIFIED TO AS/NZS 1546.1.
2. PLEASE SEE INSTALLATION GUIDELINES FOR MINIMUM REQUIREMENTS.
3. PLEASE CONFIRM INVERT LEVELS WHEN ORDERING.



Suncoast Waste Water Management

59 INDUSTRIAL AVE KUNDA PARK QLD 4556 PH +61 7 5459 4800 PH +61 7 5456 4877 www.ozzikleen.com		CLIENT	GENERAL	DESIGN	AP
		PROJECT	4,500L SEPTIC TANK - ST10A	DRAWN	YH
		TITLE	GENERAL LAYOUT	CHKD	AP
		DWG NO.	CD-ST10A-H10	DATE	02/02/16
02/02/16	GENERAL REVISION	1	YH	BY	NTS
DATE	DESCRIPTION	REV.			



Australian Standard
AS/NZS 1546.1
Lic SMK20032
SAI Global

**OZZI KLEEN
COLLECTION WELL
MODEL PT4000
SINGLE TURRET
4,150 LITRE CAPACITY**

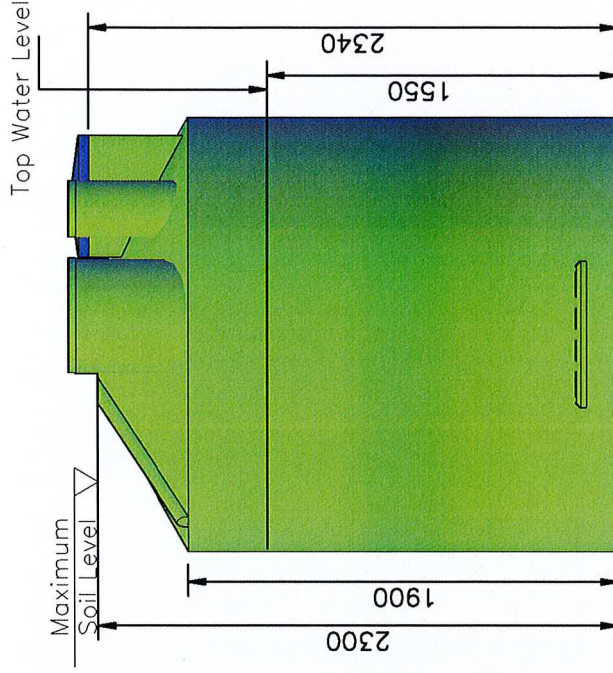
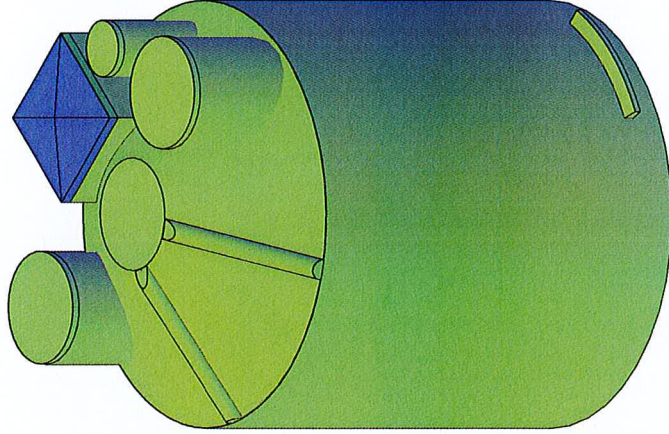
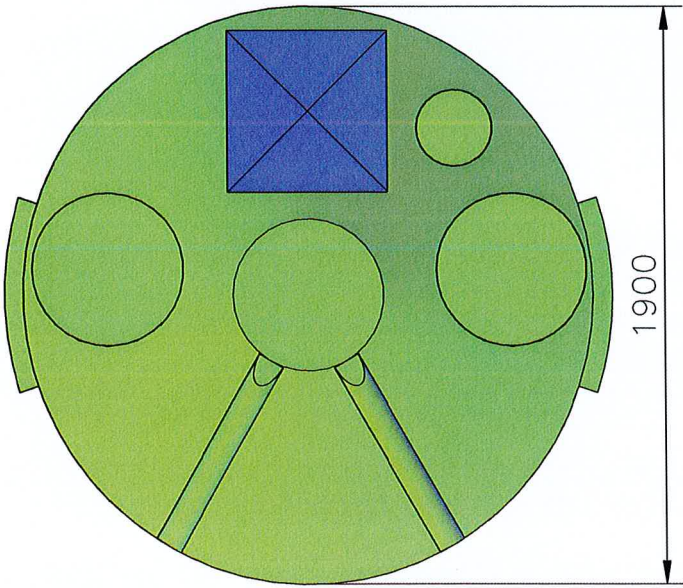


59 INDUSTRIAL AVE
MURFreesBURGH
NSW 2456
PH +61 7 5458 4900
FAX +61 7 5456 4677
www.ozziKleen.com

Suncoast Waste Water Management

DESIGN	MC	CLIENT	GENERAL	DESIGN	MC
DRAWN	YH	PROJECT	COLLECTION WELL PT4000 SINGLE TURRET	DRAWN	YH
CHKD	AP	TITLE	GENERAL DRAWING	CHKD	AP
DATE	23/11/15	DWG NO.	GD-PT4000GTS-H10	DATE	23/11/15
SCALE	NTS			SCALE	NTS

DATE	DESCRIPTION	REV.	BY
23/11/15	ISSUED FOR APPROVAL	1	YH



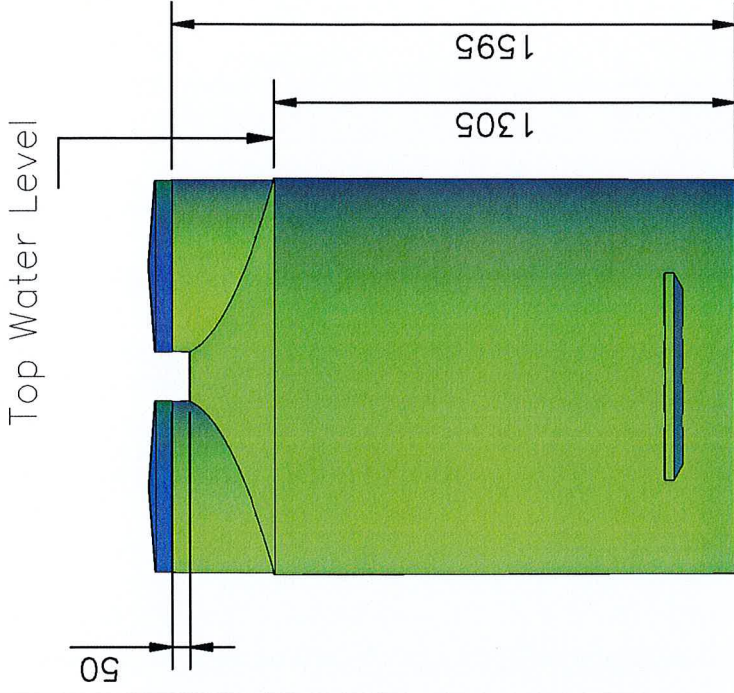
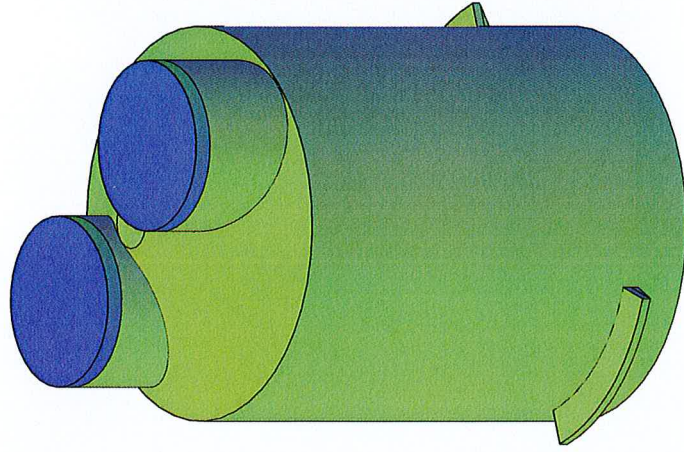
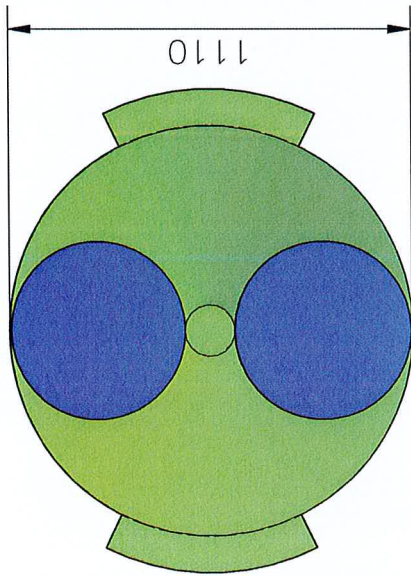
Australian Standard
 AS/NZS 1546.1
 Lic SMK20032
 SAI Global

**OZZI KLEEN
 COLLECTION WELL
 MODEL PT4000
 TWIN TURRET
 4,150 LITRE CAPACITY**

59 INDUSTRIAL AVE KUNDA PARK QLD 4556 PH +61 7 5459 4900 FAX +61 7 5456 4677 www.ozzikleen.com	CLIENT	GENERAL	DESIGN	MC
	PROJECT	COLLECTION WELL PT4000 TWIN TURRET	DRAWN	YH
	TITLE	GENERAL DRAWING	CHKD	AP
	DWG NO.	GD-PT4000RP-H10	DATE	23/11/15
Suncoast Waste Water Management			SCALE	NTS



DATE	DESCRIPTION	REV.	BY
23/11/15	ISSUED FOR APPROVAL	1	YH



Australian Standard

AS/NZS 1546.1
Lic SMK20032
SAI Global

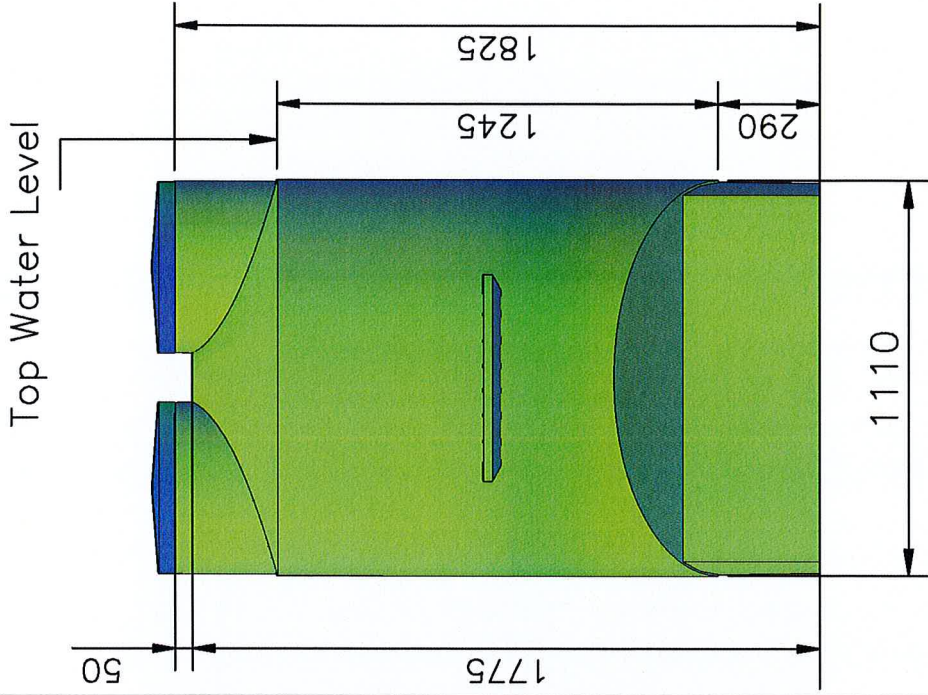
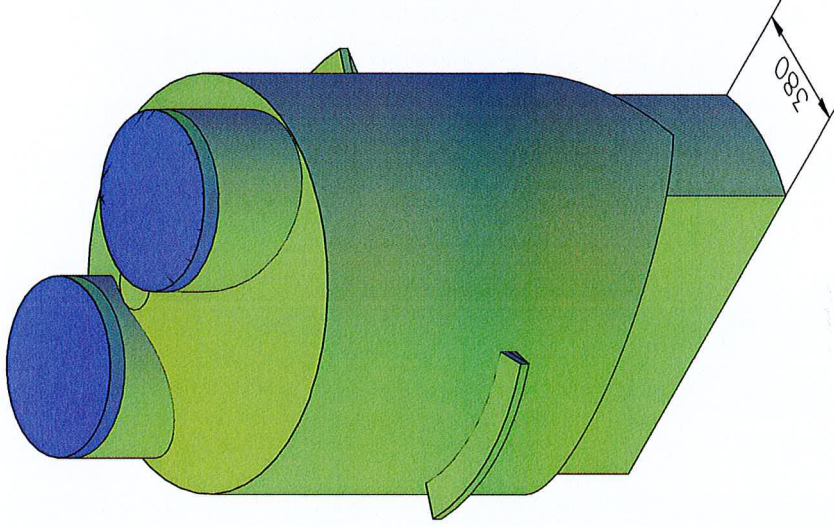
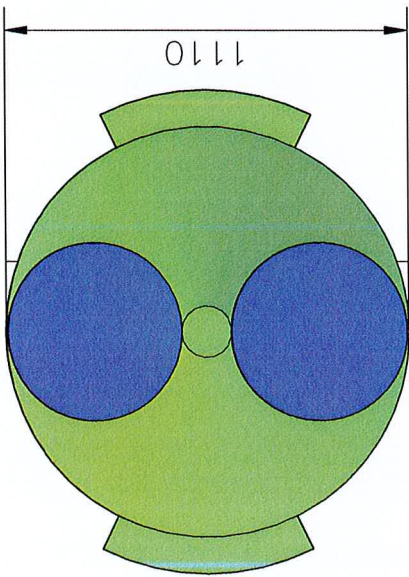
**OZZI KLEEN
COLLECTION WELL
MODEL PT1000
FLAT BASE
1,208 LITRE CAPACITY**



Suncoast Waste Water Management

59 INDUSTRIAL AVE KLINDA PARK QLD 4556 PH +61 7 5459 4900 FAX +61 7 5456 4677 www.ozzikleen.com	CLIENT	GENERAL	DESIGN	MC
	PROJECT	COLLECTION WELL PT1000 FLAT BASE	DRAWN	YH
	TITLE	GENERAL DRAWING	CHKD	AP
	DWG NO.	GD-PT1000FB-H10	DATE	23/11/15
			SCALE	NTS

DATE	ISSUED FOR APPROVAL	DESCRIPTION	REV.	BY
23/11/15			1	YH



Australian Standard

AS/NZS 1546.1
Lic SMK20032
SAI Global

**OZZI KLEEN
COLLECTION WELL
MODEL PT1000
HOPPER BOTTOM
1,225 LITRE CAPACITY**

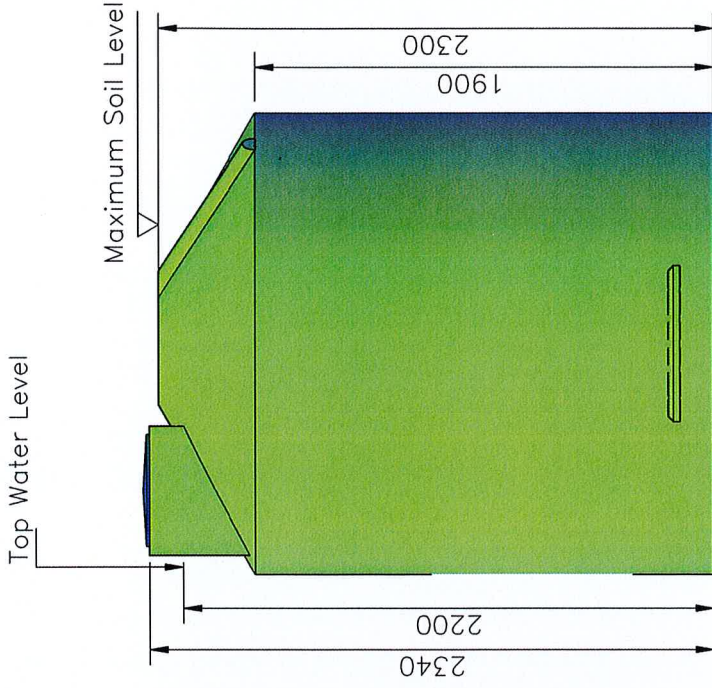
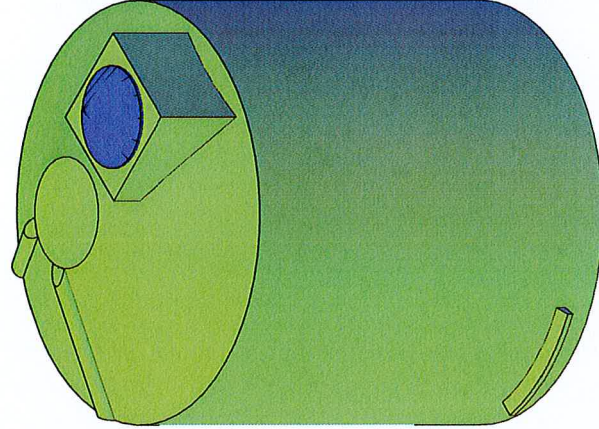
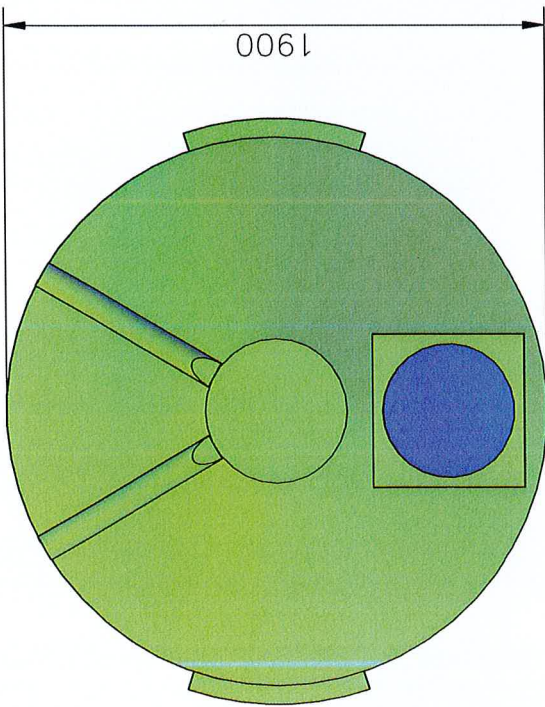


Suncoast Waste Water Management

59 INDUSTRIAL AVE
KUNDA PARK
QLD 4556
Ph: +61 7 5459 9900
Fax: +61 7 5459 4977
www.ozziclean.com

CLIENT	GENERAL	DESIGN	MC
PROJECT	COLLECTION WELL PT1000 HOPPER BOTTOM	DRAWN	YH
TITLE	GENERAL DRAWING	CHKD	AP
DWG NO.	GD-PT1000HB-H10	DATE	23/11/15
		SCALE	NTS

DATE	DESCRIPTION	REV.	BY
23/11/15	ISSUED FOR APPROVAL	1	YH



Australian Standard
 AS/NZS 1546.1
 Lic SMK20032
 SAI Global

**OZZI KLEEN
 COLLECTION WELL
 MODEL PT5300
 FLAT BASE
 5,350 LITRE CAPACITY**

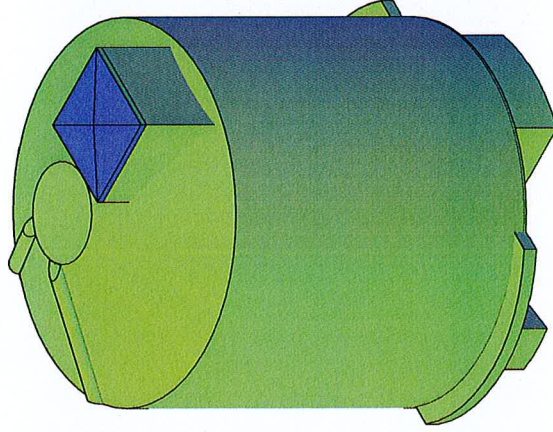
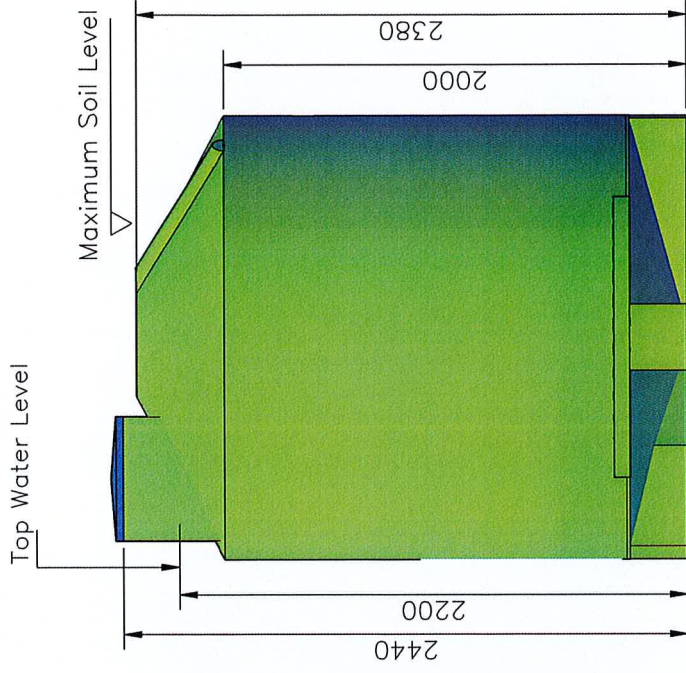
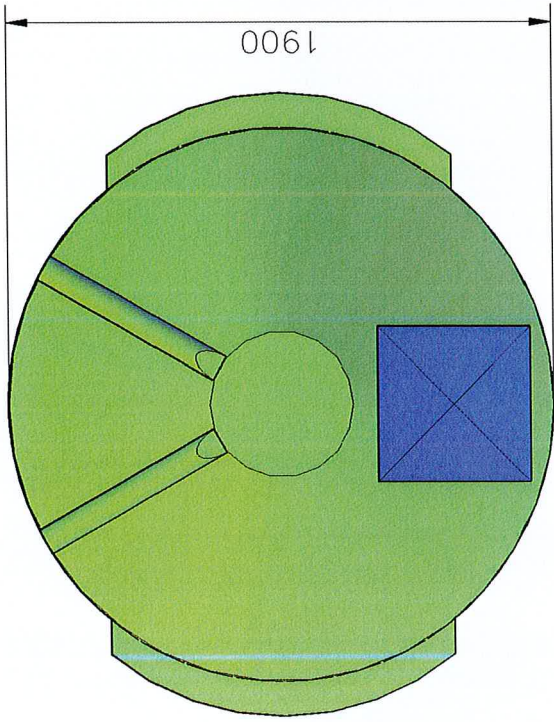


Suncoast Waste Water Management

23/11/15	ISSUED FOR APPROVAL	1	YH
DATE	DESCRIPTION	REV.	BY

60 INDUSTRIAL AVE
 KUNDA PARK
 QLD 4556
 PH +61 7 5459 4900
 FAX +61 7 5456 4677
 www.ozziclean.com

CLIENT	GENERAL	DESIGN	MC
PROJECT	COLLECTION WELL PT5300 FLAT BASE	DRAWN	YH
TITLE	GENERAL DRAWING	CHKD	AP
DWG NO.	GD-PT5300FB-H10	DATE	23/11/15
		SCALE	NTS



**OZZI KLEEN
COLLECTION WELL
MODEL PT5300
HOPPER BASE
5,250 LITRE CAPACITY**

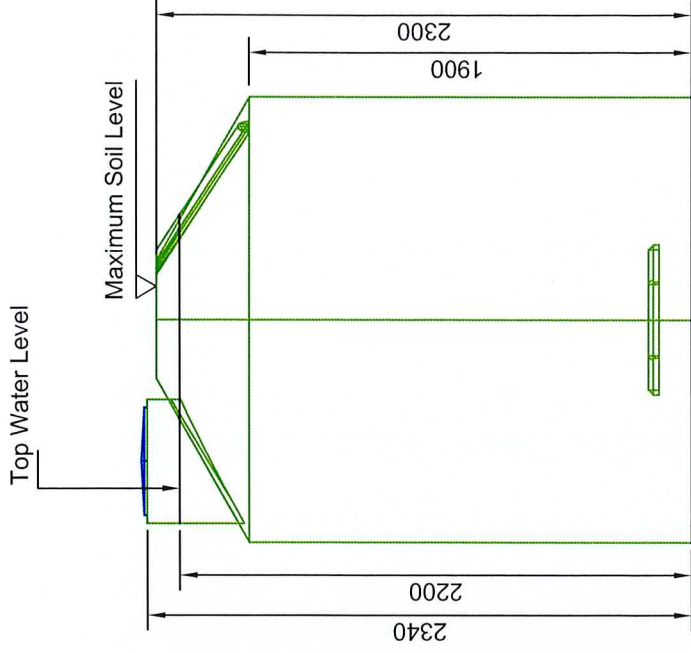
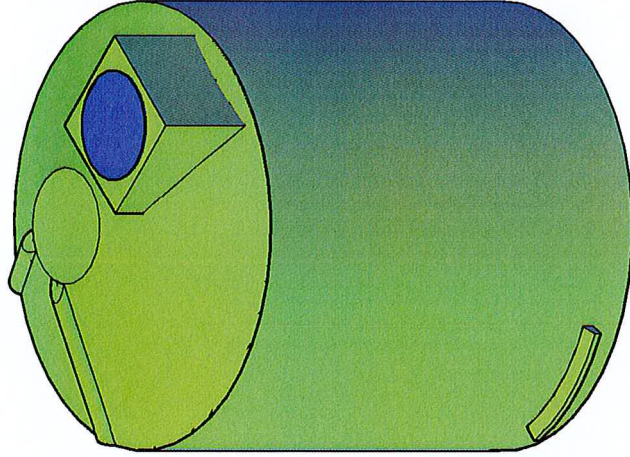
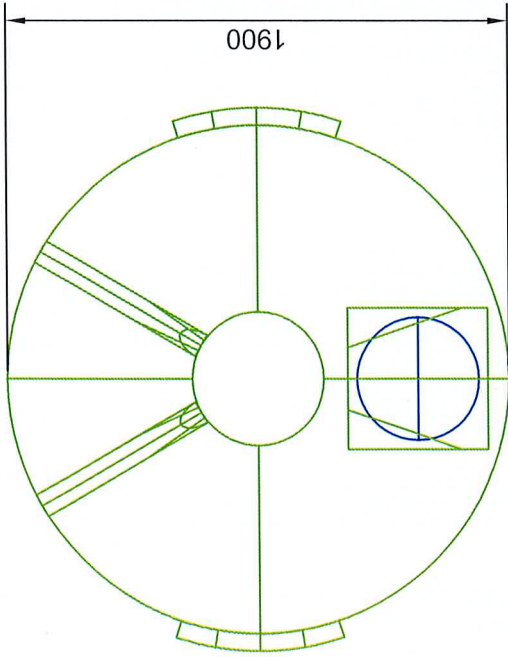


Australian Standard
AS/NZS 1546.1
Lic SMK20032
SAI Global



Suncoast Waste Water Management

23/11/15	ISSUED FOR APPROVAL	1	YH	MC
DATE	DESCRIPTION	REV.	BY	NTS
<p>59 INDUSTRIAL AVE KUNDA PARK QLD 4556 PH +61 7 5459 4900 FAX +61 7 5466 4677 www.ozzikleen.com</p>				SCALE
CLIENT	GENERAL	DWG No.	GD-PT5300HB-H10	SCALE
PROJECT	COLLECTION WELL PT5300 HOPPER BASE	TITLE	GENERAL DRAWING	DATE
DATE	23/11/15	DATE	23/11/15	NTS



**OZZI KLEEN
COLLECTION WELL
MODEL RW5300
5300 LITRE CAPACITY**



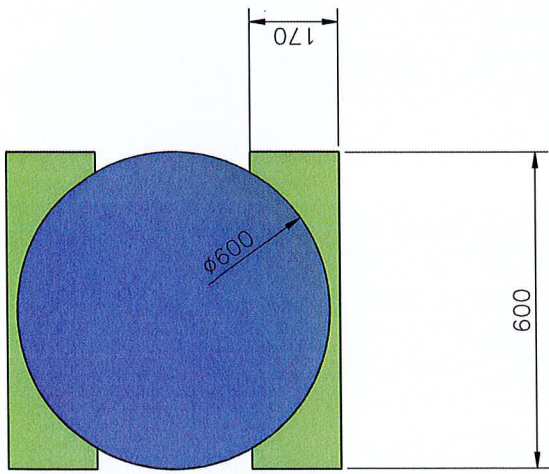
Australian Standard
AS/NZS 1546.1
LIC. SMK8 20032
SAI Global



Suncoast Waste Water Management

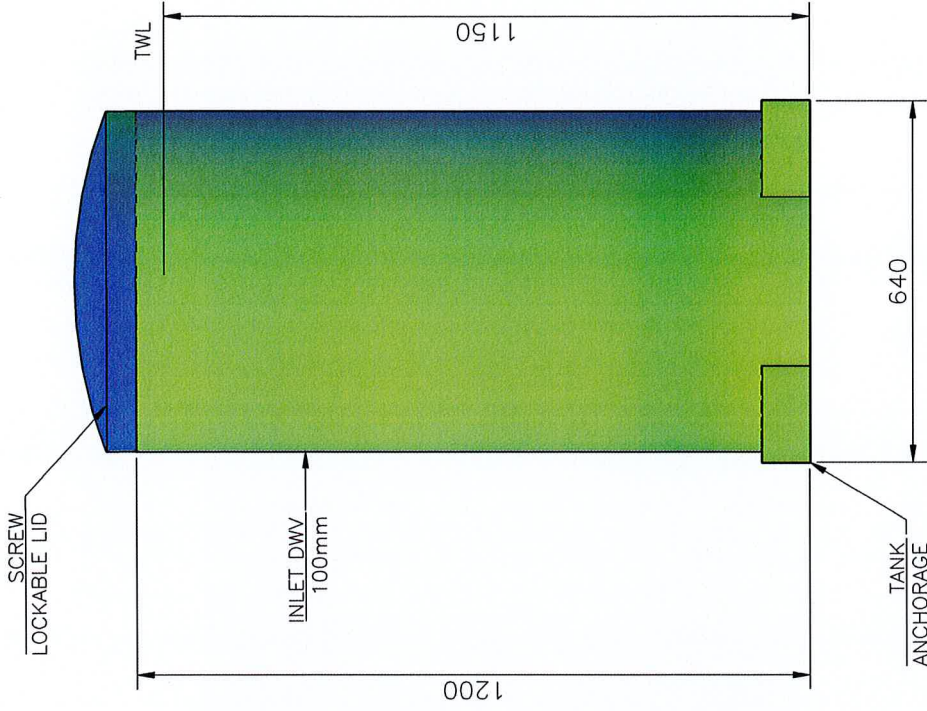
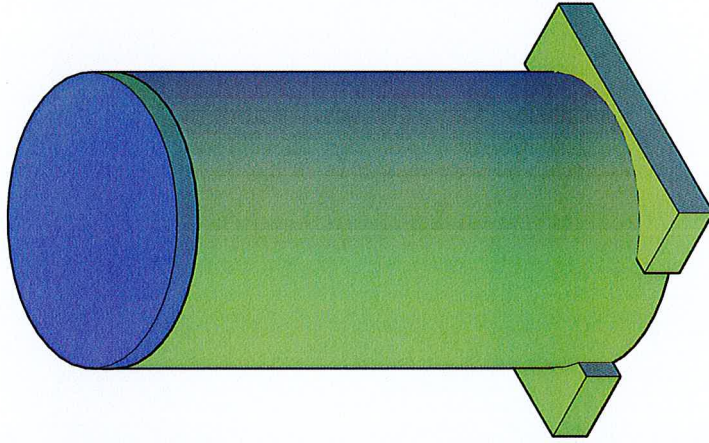
59 INDUSTRIAL AVE KUNDA PARK QLD 4556 PH +61 7 5489 4900 FAX +61 7 5458 4677 www.ozzikleen.com	CLIENT GENERAL	DESIGN MC
	PROJECT COLLECTION WELL RW5300	DRAWN DC
	TITLE GENERAL ARRANGEMENT	CHKD MC
	DWG NO. GA-RW5300-H10	DATE 08/08/08
		SCALE NTS

DATE	DESCRIPTION	REV.	BY
08/08/08	GENERAL REVISION	1	DC



Australian Standard
 AS/NZS 1546.1
 Lic SMK20032
 SAI Global

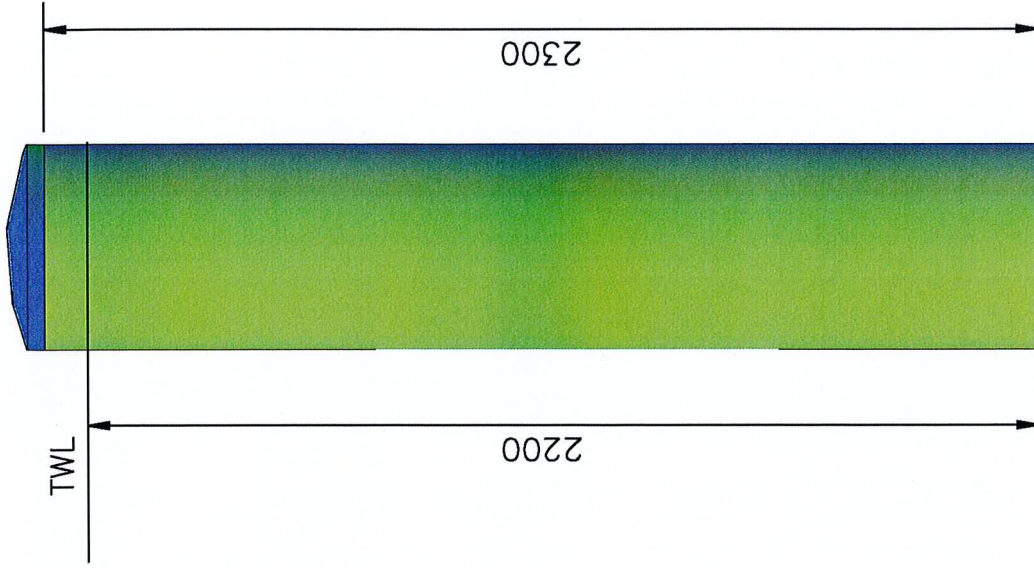
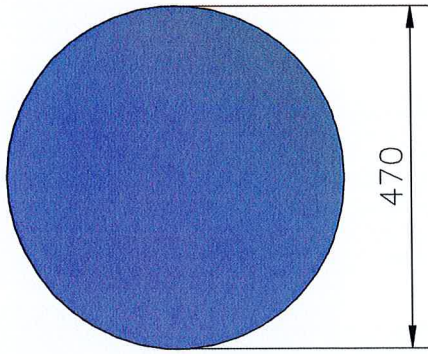
**OZZI KLEEN
 COLLECTION WELL
 MODEL PT300
 300 LITRE CAPACITY**



Suncoast Waste Water Management

59 INDUSTRIAL AVE KUNDA PARK QLD 4550 PH +61 7 5458 4900 FAX +61 7 5458 4877 www.ozziclean.com	CLIENT	GENERAL	DESIGN	MC
	PROJECT	COLLECTION WELL PT300	DRWN	RP
	TITLE	GENERAL DRAWING	CHKD	YH
	DWG NO.	GD-PT300-H10	DATE	21/10/21
			SCALE	NTS

21/10/21	ISSUED FOR APPROVAL	1	RP	BY
DATE	DESCRIPTION	REV.		



Australian Standard
 AS/NZS 1546.1
 Lic SMK20032
 SAI Global

**OZZI KLEEN
 COLLECTION WELL
 MODEL PT350
 350 LITRE CAPACITY**

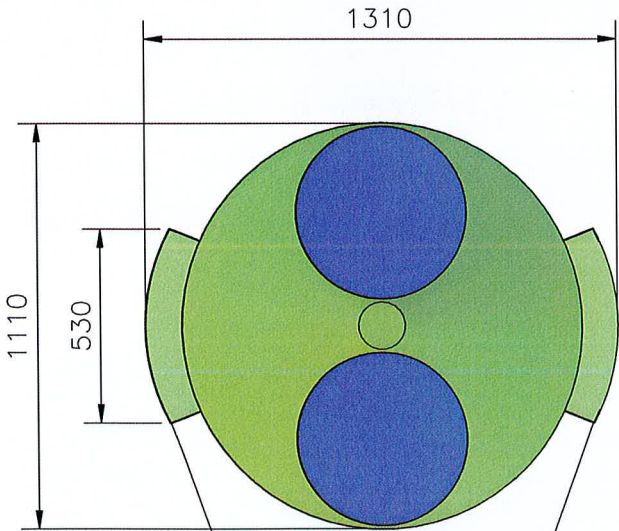


59 INDUSTRIAL AVE
 KUNDA PARK
 QLD 4556
 PH +61 7 5459 4900
 FAX +61 7 5456 4677
 www.ozzikleen.com

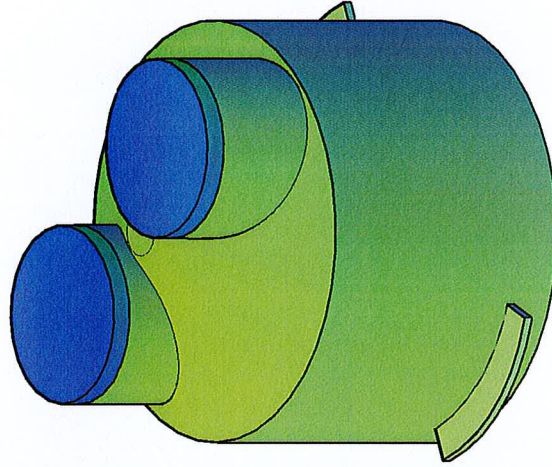
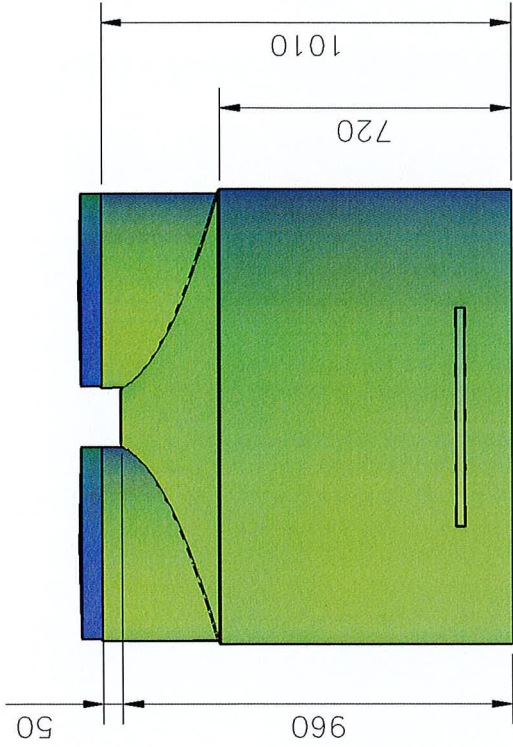
CLIENT	GENERAL	DESIGN	MC
PROJECT	COLLECTION WELL PT350	DRAWN	YH
TITLE	GENERAL DRAWING	CHKD	AP
DWG No.	GD-PT350-H10	DATE	23/11/15
		SCALE	NTS

Suncoast Waste Water Management

DATE	DESCRIPTION	REV.	BY	YH
23/11/15	ISSUED FOR APPROVAL	1		



TANK ANCHORAGE
EXTENSIONS



Australian Standard
AS/NZS 1546.1
Lic SMK20032
SAI Global

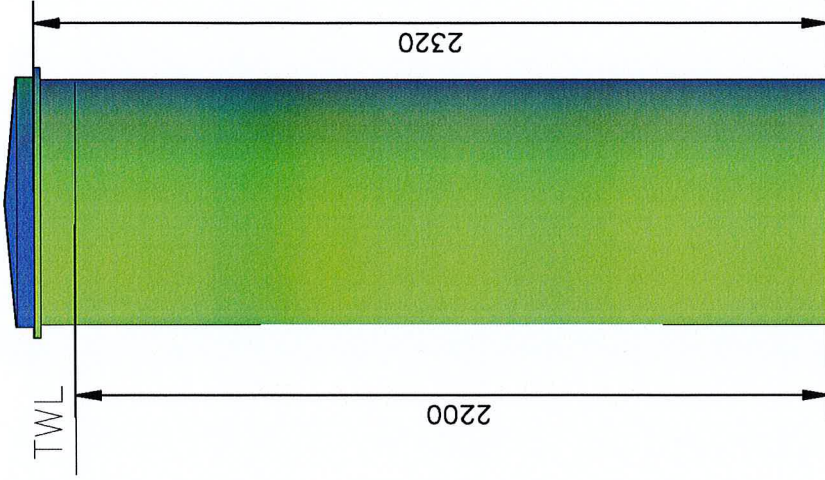
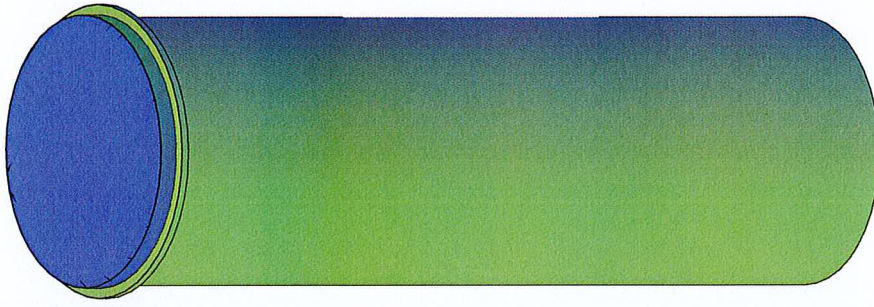
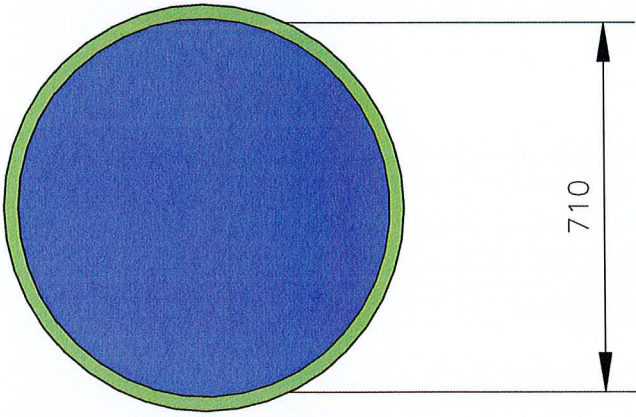
**OZZI KLEEN
COLLECTION WELL
MODEL PT500
FLAT BASE
663 LITRE CAPACITY**



59 INDUSTRIAL AVE
KUNDA PARK
QLD 4556
PH +61 7 5459 4000
FAX +61 7 5456 4877
www.ozziclean.com

Suncoast Waste Water Management

DATE	15/04/16	ISSUED FOR APPROVAL	1	YH
DESCRIPTION		REV.	BY	
CLIENT	GENERAL	PROJECT	COLLECTION WELL PT500 FLAT BASE	CHDK
TITLE	GENERAL DRAWING	DATE	15/04/16	AP
DWG NO.	GD-PT500FB-H10	SCALE		NTS
DESIGN	MC	DRAWN		



Australian Standard
 AS/NZS 1546.1
 Lic SMK20032
 SAI Global

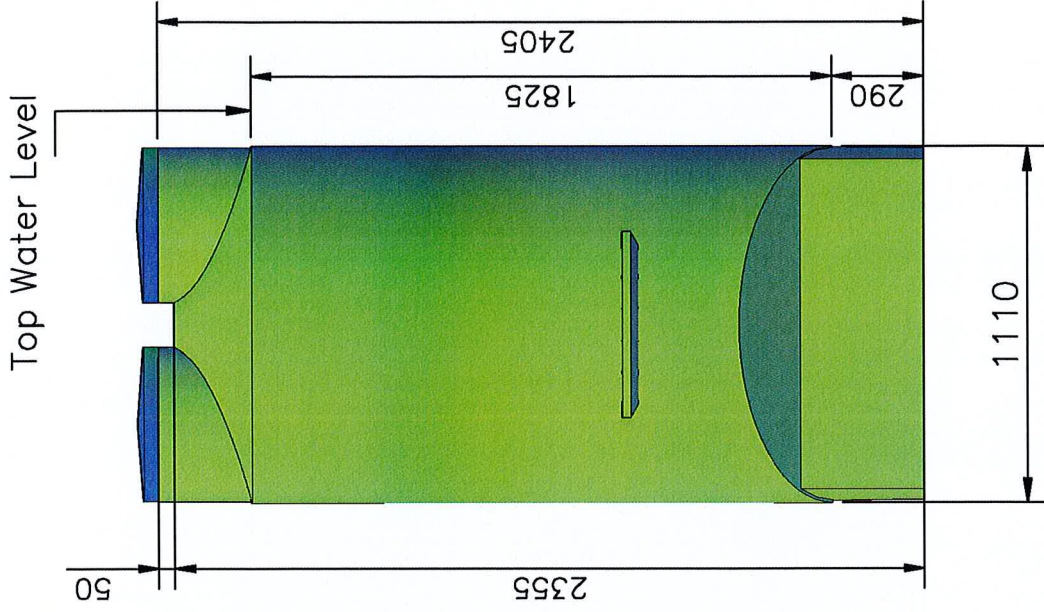
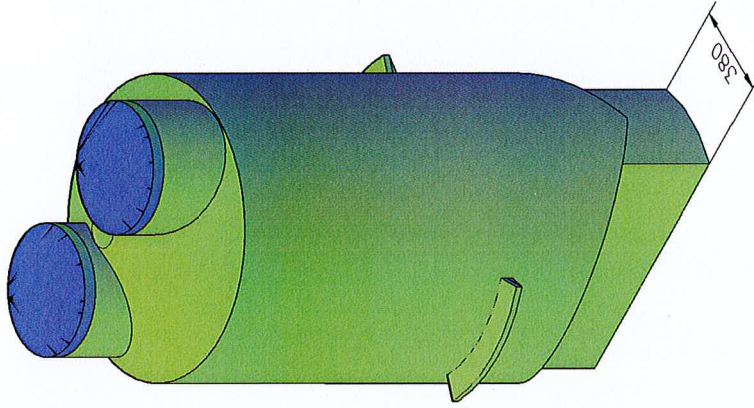
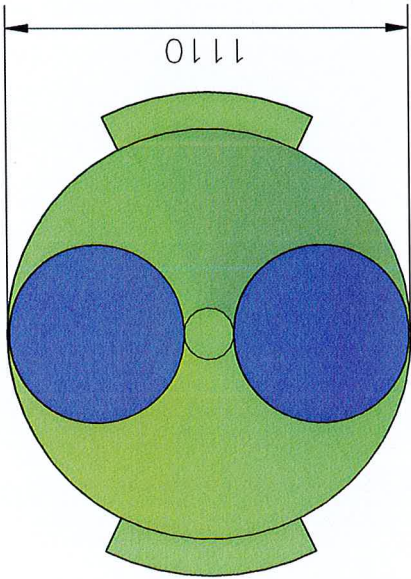
**OZZI KLEEN
 COLLECTION WELL
 MODEL PT850
 850 LITRE CAPACITY**



Suncoast Waste Water Management

59 INDUSTRIAL AVE KUNDA PARK QLD 4556 TEL +61 7 5459 4900 FAX +61 7 5456 4877 www.ozzikleen.com	CLIENT	GENERAL	DESIGN	MC
	PROJECT	COLLECTION WELL PT850	DRAWN	YH
	TITLE	GENERAL DRAWING	CHKD	AP
	DWG No.	GD-PT850-H10	DATE	23/11/15
			SCALE	NTS

23/11/15	ISSUED FOR APPROVAL	1	YH
DATE	DESCRIPTION	REV.	BY



Australian Standard
 AS/NZS 1546.1
 Lic SMK20032
 SAI Global

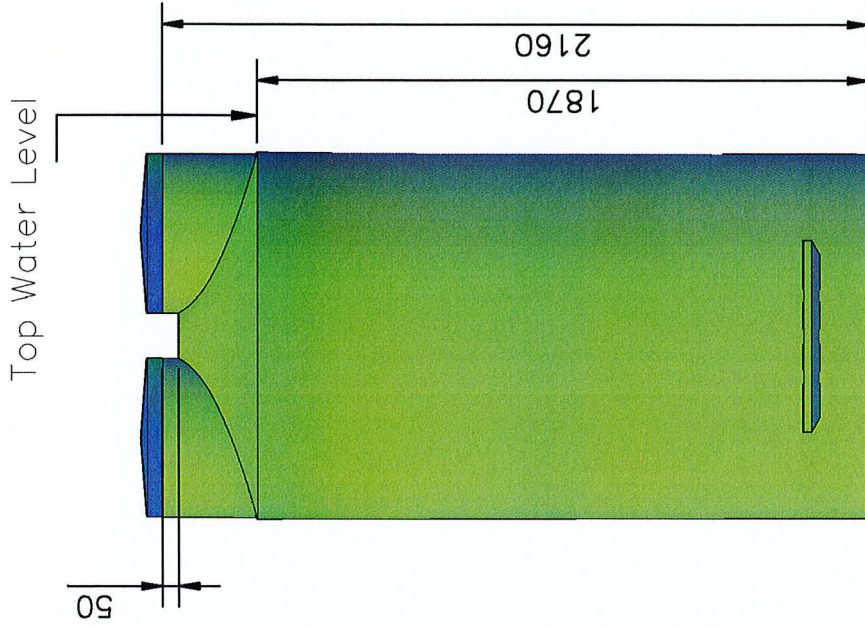
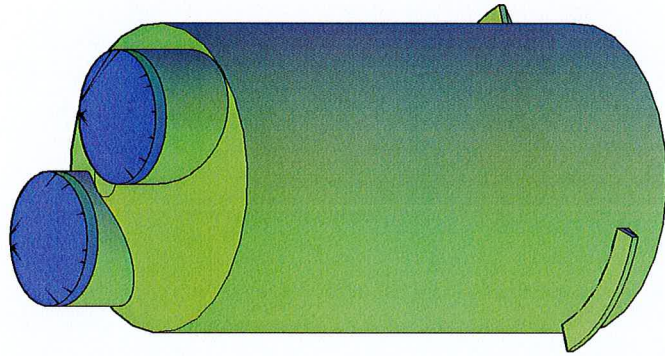
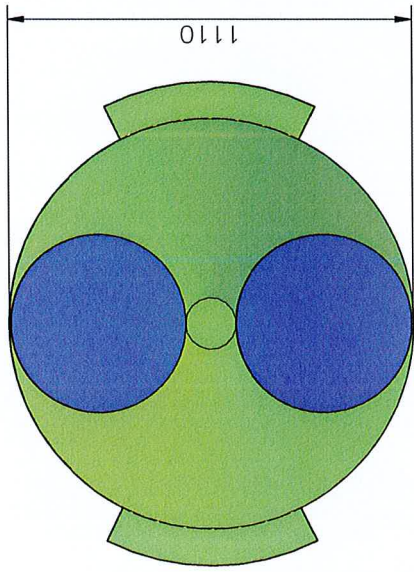
**OZZI KLEEN
 PUMP CHAMBER
 (HOLDING TANK)
 MODEL PT1500
 HOPPER BOTTOM
 1640 LITRE CAPACITY**



Suncoast Waste Water Management

59 INDUSTRIAL AVE KUNDA PARK QLD 4556 TEL +61 7 5459 4900 FAX +61 7 5456 4877 www.ozzikleen.com	CLIENT	GENERAL	DESIGN	MC
	PROJECT	COLLECTION WELL PT1500 HOPPER BOTTOM	DRAWN	YH
	TITLE	GENERAL DRAWING	CHKD	AP
	DWG NO.	GD-PT1500HB-H10	DATE	23/11/15
			SCALE	NTS

23/11/15	ISSUED FOR APPROVAL	1	YH
DATE	DESCRIPTION	REV.	BY



Australian Standard

AS/NZS 1546.1
Lic SMK20032
SAI Global

**OZZI KLEEN
PUMP CHAMBER
(HOLDING TANK)
MODEL PT1500
FLAT BASE
1735 LITRE CAPACITY**



Suncoast Waste Water Management

59 INDUSTRIAL AVE
KUNDA PARK
QLD 4556
PH +61 7 5459 4900
FAX +61 7 5456 4677
www.ozzikleen.com

CLIENT GENERAL
PROJECT COLLECTION WELL PT1500 FLAT BASE
TITLE GENERAL DRAWING
DWG NO. GD-PT1500FB-H10

DESIGN	MC
DRAWN	YH
CHKD	AP
DATE	23/11/15
SCALE	NTS

DATE	DESCRIPTION	REV.	YH	BY
23/11/15	ISSUED FOR APPROVAL	1		